

Z-015 Additional requirements Goliat

ELECTRICAL

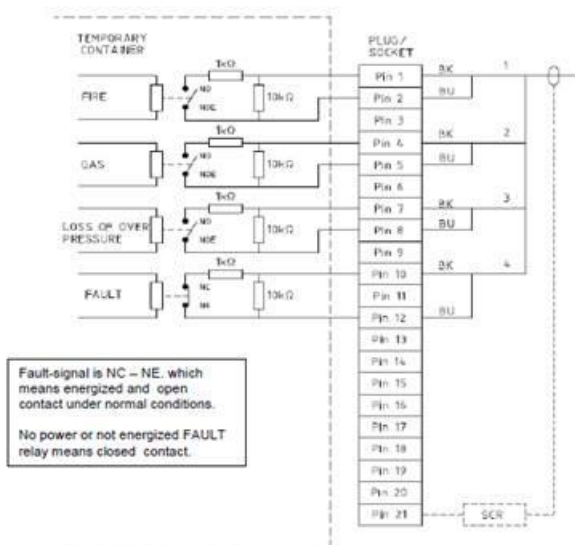
Power	Volt	Frequency	Phase currency	Neutral loaded	System earth	Distribution protection		Connection platform/rig	Connection temporary equipment	Comments
System	[V]	[Hz]	[A]	Yes/No	[S/I/R]*	Fuse [A]	Earth fault [mA]	Description/ type	Description/ type	
Main Power	230	50	16	Yes	S	2P/16A	30mA	CEAG 16A 3-pin Wall socket GHG 511 4306 R3005	CEAG 16A 3-pin Plug GHG 511 7306 R0001	Hazardous areas Outdoor areas Shafts
Main Power	400	50	16	Yes	S	4P/16A	30mA	CEAG 63A 5-pin Wall socket GHG 511 4506 R3006	CEAG 63A 5-pin Plug GHG 511 7506 R0001	Hazardous areas Laydown areas Various utility areas
Main Power	400	50	63	Yes	S	4P/63A	30mA	CEAG 63A 5-pin Wall socket GHG 514 4506 R3003	CEAG 63A 5-pin Plug GHG 514 7506 R0001	Hazardous areas Laydown areas Various utility areas
Main Power	400	50	125	Yes	S	4P/125A	30mA	CEAG 125A 5-pin Wall socket GHG 515 4506 R3001	CEAG 63A 5-pin Plug GHG 514 7506 R0001	Hazardous areas Laydown areas
Main Power	690	50	63	Yes	R	3P/63A	30mA	CEAG 63A 4-pin Wall socket GHG 514 4405 R3002	CEAG 63A 4-pin Plug GHG 514 7405 R0001	Hazardous areas Laydown areas
Main Power	690	50	162	Yes	R	162A	30mA	Junction Box	NA	@ EL. 44.000
Cold start gen. Not available for normal use	690	50	16	Yes	R	3P/16A	30mA	CEAG 16A 4-pin Wall socket GHG 511 4405 R0001	CEAG 16A 4-pin Plug GHG 511 7405 R0001	Various locations for heating and ventilation purposes Not for vendors

*S= Solidly (Direktejordet)
I= Isolated (Isolert)
R= Resistor (Resistansjordet)

INSTRUMENT

Function	Signal type	Connection platform/rig	Connection temporary equipment	Comments
		Description/ type	Description/ type	
Loss of pressure	NDE	Cooper Crouse-Hinds CEAG 21 pin wall socket / GHG 511 4906 R3001	Cooper Crouse-Hinds CEAG 21 pin plug / GHG 591 2201 R0002	Common socket/plug for loss of pressure, fire, gas and fault
Fire	NDE	Cooper Crouse-Hinds CEAG 21 pin wall socket / GHG 511 4906 R3001	Cooper Crouse-Hinds CEAG 21 pin plug / GHG 591 2201 R0002	Common socket/plug for loss of pressure, fire, gas and fault
Gas	NDE	Cooper Crouse-Hinds CEAG 21 pin wall socket / GHG 511 4906 R3001	Cooper Crouse-Hinds CEAG 21 pin plug / GHG 591 2201 R0002	Common socket/plug for loss of pressure, fire, gas and fault
Common fault	NE	Cooper Crouse-Hinds CEAG 21 pin wall socket / GHG 511 4906 R3001	Cooper Crouse-Hinds CEAG 21 pin plug / GHG 591 2201 R0002	Common socket/plug for loss of pressure, fire, gas and fault
ESD	PFC, NC, NE	Cooper Crouse-Hinds CEAG 4 pin wall socket / GHG 511 4407 R3001	Cooper Crouse-Hinds CEAG 4 pin plug / GHG 511 7407 R0001	ESD from CCR

21 pins connector for Instrument signals:





vår energi

TELECOM

Function	Signal type	Connection platform/rig	Connection temporary equipment	Comments
		Description/ type	Description/ type	
PAGA	NA	Cooper Crouse-Hinds CEAG 5 pin wall socket / GHG 511 4506 R3001	Cooper Crouse-Hinds CEAG 5 pin plug / GHG 511 7506 R0001	Dwg: 229A-HHI-ET301-T-XD-4107-01
Telephone PABX	NA	Cooper Crouse-Hinds CEAG 4 pin wall socket / GHG 511 4409 R3001	Cooper Crouse-Hinds CEAG 4 pin plug / GHG 511 7409 R0001	Dwg: 229A-HHI-ET301-T-XD-4116-01
CCTV	NA			
Data	NA			

UTILITIES

Function	Pressure	Amount/Flow	Connection	Comments
	[BAR]	Max capacity	Description/ Type/Diameter	
Service air			1" CLAW COUPLING	
Nitrogen			1" male NPT	
Sprinkler	NA			
Seawater	NA			
Hotwater HP			HP Pistol on site	
Freshwater			Cam-lock 1"	